



Your project, our challenge...

K2N K3N FLS



Explosion proof

APPLICATIONS

Industrial lighting

Outdoor lighting

DESCRIPTION

The K2N K3N FLS is an IP65 explosion proof light fixture.

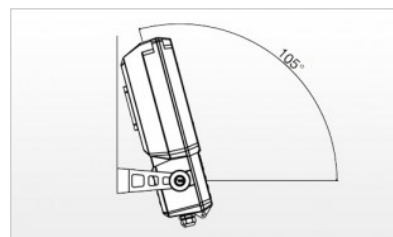
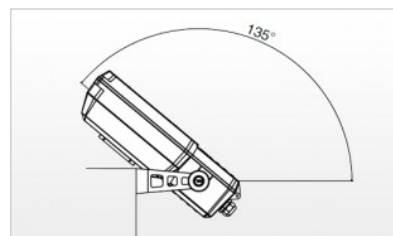
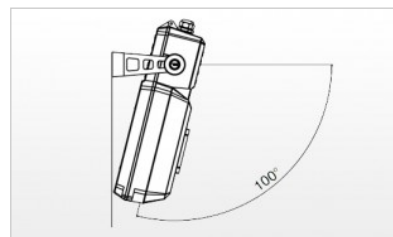
Base made of surface-finished aluminium casting. Each type includes two cable glands.

Geartray is made of galvanized sheet 1,5mm thick.

Direct fastening on the base by means of positioning bracket grip.

Temperature range: Ta: -20°C to +40°C

Cable glands are included in delivery.



K2N K3N FLS

PRODUCT VARIATION

Screen/lattice

Tempered safety glass

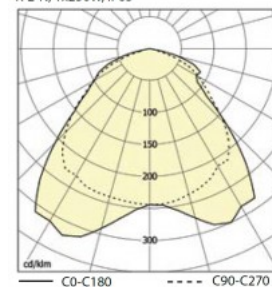
Reflector

Aluminium sheet either:

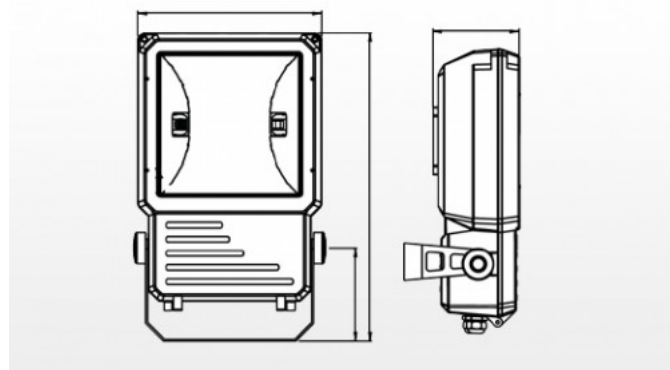
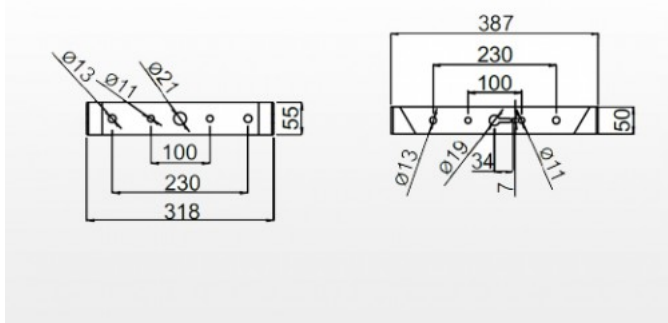
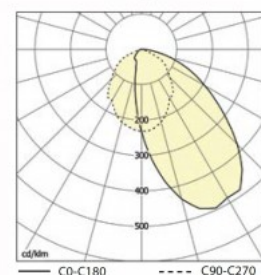
Symmetric

Asymmetric

K-2-N, 1x250W, IP65



K-3-N, 1x400W, IP65, asymmetric reflector



PRODUCT TYPES

Item no.	Watt	Tube	L	W	H	Lf
K2N K3N FLS SYM	1x150	HIT	350	146	524	160
K2N K3N FLS SYM	1X250	HIT	350	146	524	160
K2N K3N FLS SYM	1X400	HIT	452	180	660	218

Subject to technical changes, misprints and errors