



Your project, our challenge...

ICAO low intensity

LED

LED obstruction light

APPLICATIONS

Industrial lighting	Outdoor lighting
---------------------	------------------

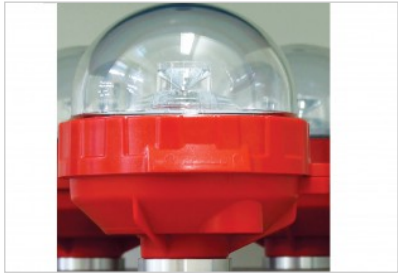
DESCRIPTION

Resolux LED obstruction lights offer an ultra bright, energy efficient and cost effective lighting solution. The light fixture is available in two configurations, universal DC (12-48VDC) or universal AC (110-240VAC).

The advanced light optic uses a single LED for minimal power consumption. The corrosion resistant, polycarbonate lens is specifically designed for use with LEDs to maximize light intensity and uniformity.

The light fixture incorporates internal diagnostic checking and an alarm contact for remote monitoring. The alarm relay is energised in normal operation and is released if there is an LED or power fault.

Temperature range: -40 - 80°C
Waterproof IP 68



ICAO low intensity

PRODUCT VARIATION

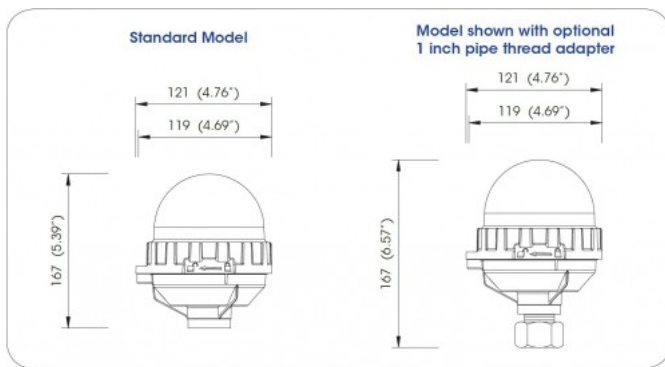
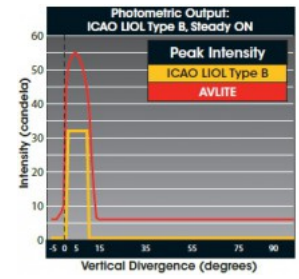
Electrical

Two configurations, universal DC 24-48VDC or universal AC 110-240VAC

Pmax: 36 W

Mounting

Right Angle Pole Mount



PRODUCT TYPES

Item no.	Watt	Tube	L	W	H	Lf	ICAO
----------	------	------	---	---	---	----	------

Subject to technical changes, misprints and errors