



## Billy FLS



### APPLICATIONS

Industrial lighting

Outdoor lighting

### DESCRIPTION

The BILLY FLS is a flexible light with IP65 enclosure protection.  
Optional: With IP68 cable gland and mounting kit with gasket it can be used as an IP67 light.

The light base is made of moulded reinforced fiberglass

BILLY FLS comes with 2 part stainless steel A2 clips and Philips fluorescent (or equivalent) TL-D 36W / 58W 840 life time 15.000 hours.

Optional: Emergency battery for 60 min. of operation.

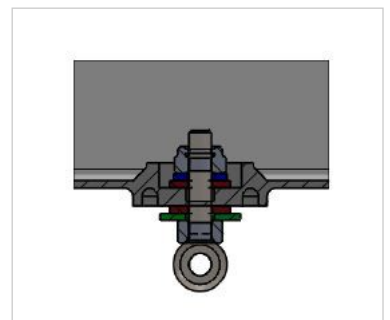
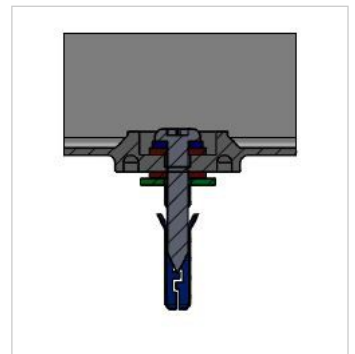
Temperature range:  
Without emergency battery backup: Ta = -20°C to +45°C  
With emergency battery backup Ta = -5°C to +45°C

Mounting: Use mounting kit with washers, gaskets and stainless steel screws.

Optional: Mounting kit with eye bolts for wire suspension.

Cable glands are included in delivery.

Warranty is 5 years.



# Billy FLS

**PRODUCT VARIATION**

**Screen/lattice**

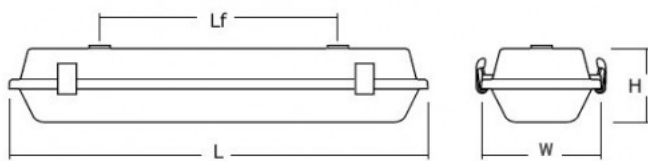
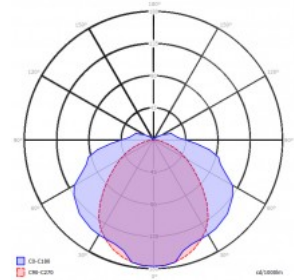
Linear prismatic UV stabilised diffuser in PC

**Electrical**

Ballast, Philips (or equivalent) HF III 220-240volt / 50-60Hz -20C to +50C

**Reflector**

White painted metal



**PRODUCT TYPES**

Item no.	Watt	Tube	L	W	H	Lf
Billy FLS	1x36	T8	1312	102	108	800
Billy FLS	2x36	T8	1312	172	108	800
Billy FLS	1x58	T8	1612	102	108	1100
Billy FLS	2x58	T8	1612	172	108	1100

Subject to technical changes, misprints and errors